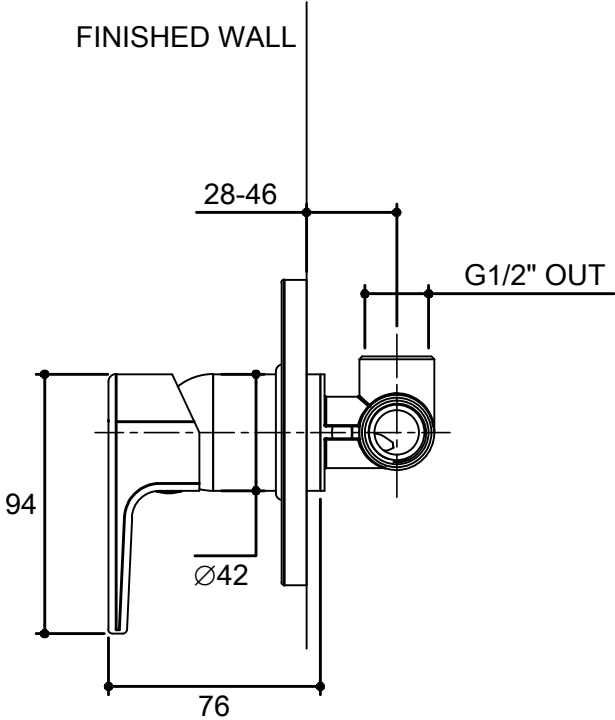
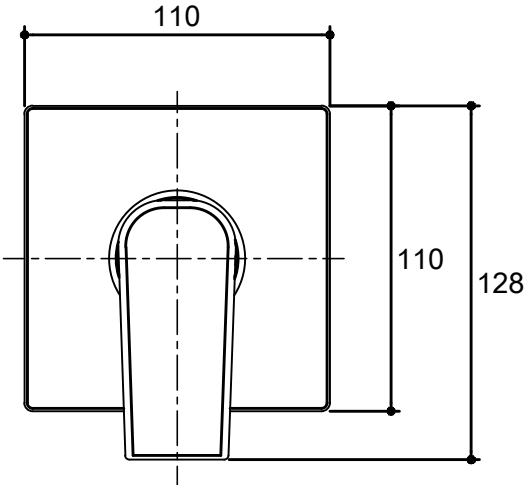
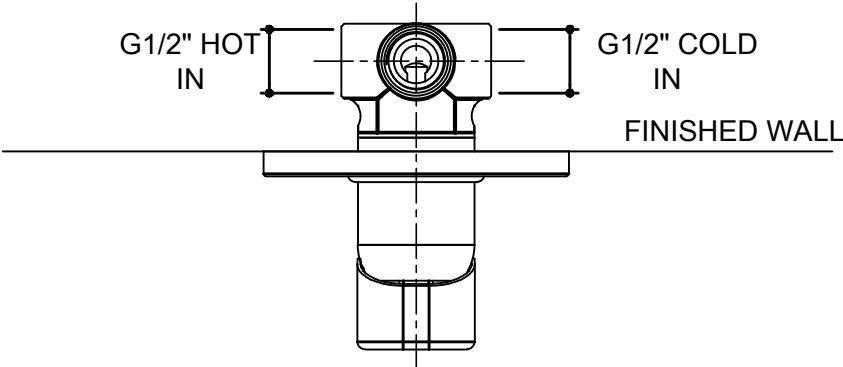


Dimensions are approximate

Unit: mm



Product diagram 98089X-4-CP