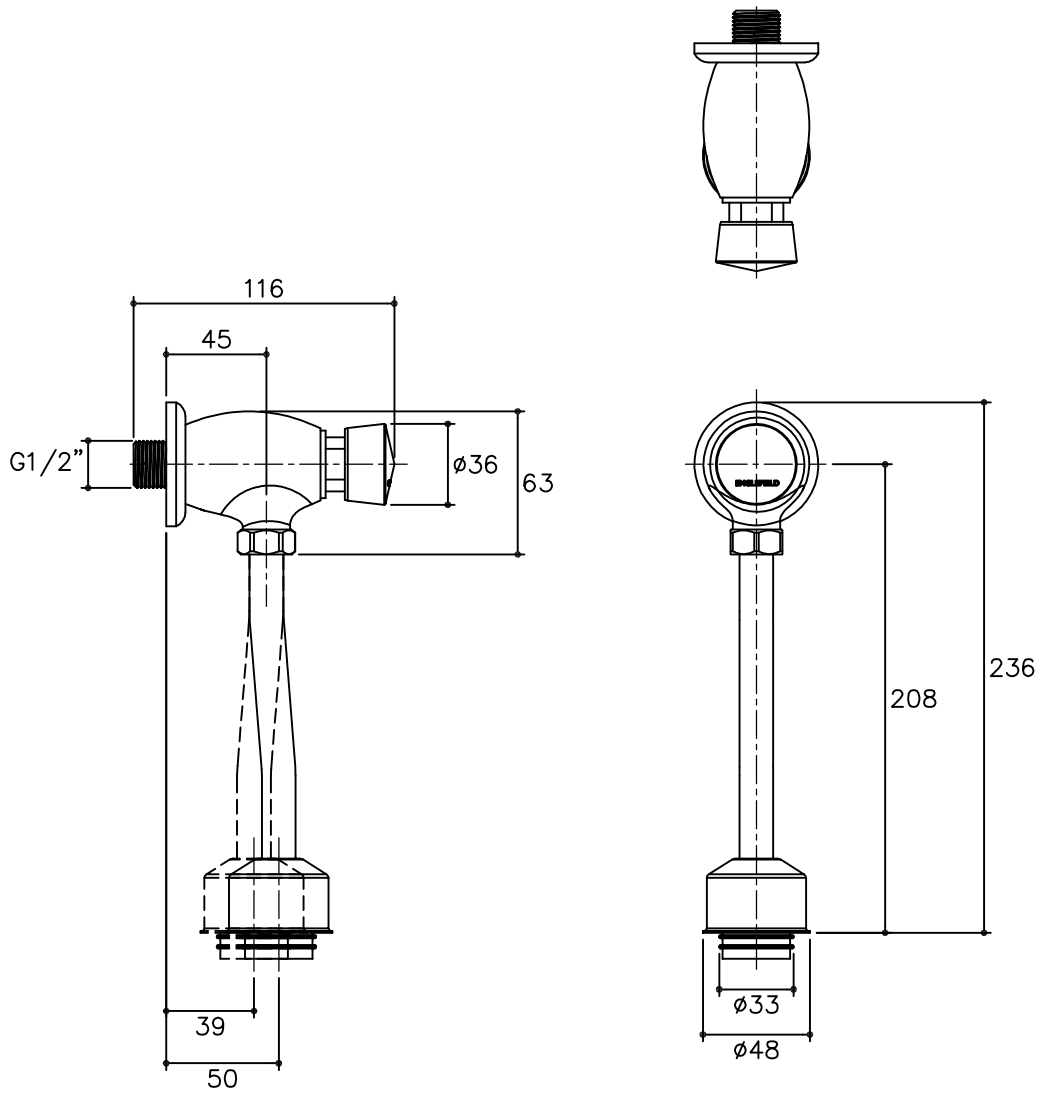


Dimensions are approximate  
Unit: mm



Product Diagram K-99110X-CP